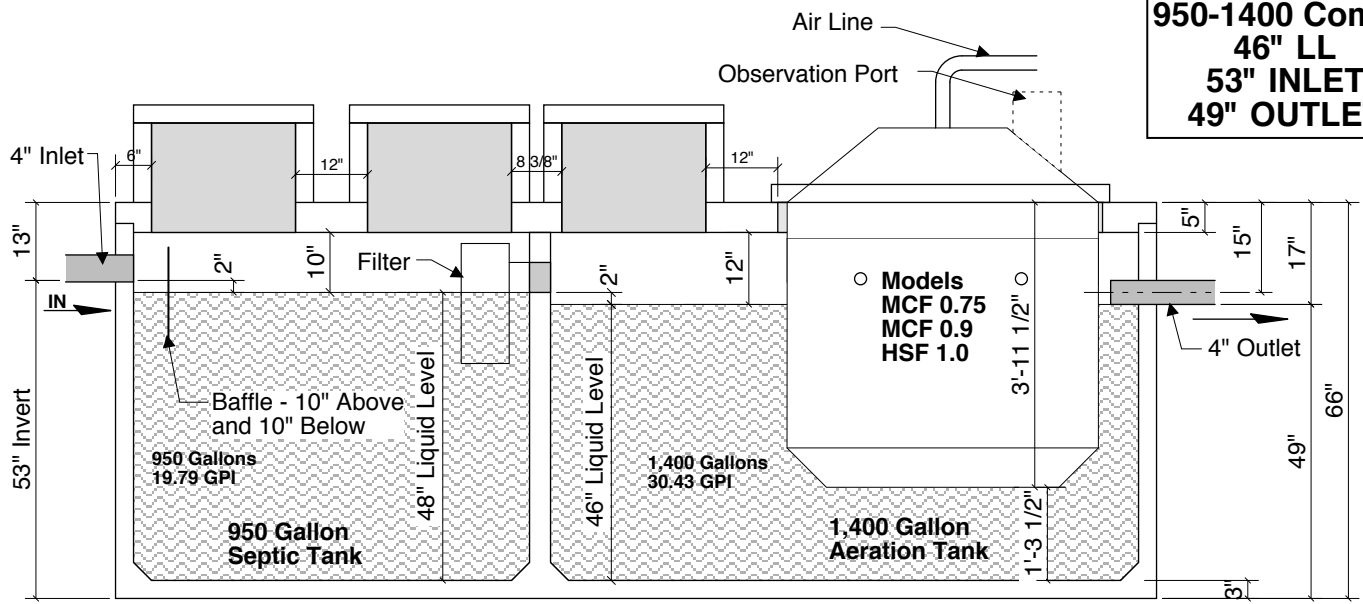
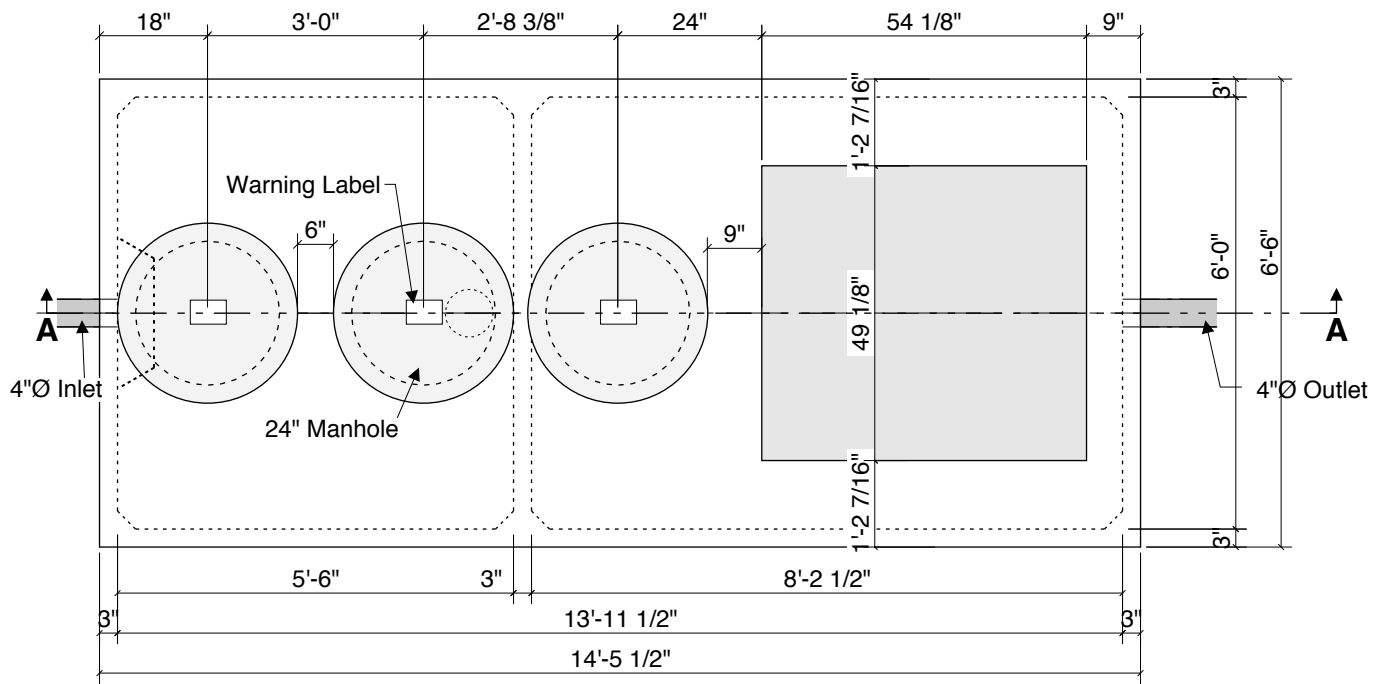


**FAST TANK**  
**0.75, 0.9 & 1.0**  
**950-1400 Combo**  
**46" LL**  
**53" INLET**  
**49" OUTLET**



**Section A-A**



**Top View**

**SINGLE HOME FAST 950 - 1400 COMBINATION**  
**(For Use With MCF 0.75, 0.9 and HSF 1.0)**

**DESIGN NOTES**

- ° TANK TO ASTM 1227
- ° W/C RATIO 0.45 OR LESS
- ° 60" MAX. BURY DEPTH OVER TOP COVER
- ° RANDOM VACUUM OR WATER TESTING BY CREST

**INSTALLATION NOTES:**

- ° PLUMBING CONTRACTOR TO SEAL FAST UNIT TO TANK COVER. PLUMBER OR DEALER TO PROVIDE SEMI-ANNUAL INSPECTIONS OR SERVICE.

**EFFLUENT QUALITY (AVERAGE VALUE)**

- ° LESS THAN 30 MG/L B.O.D.
- ° LESS THAN 30 MG/L S.S.
- ° LESS THAN 30 MG/L PHOSPHORUS

**APPLIED REFERENCE NO.**

- 001, 002, 003, 004, 005, 07B, 008, 009, 012, 014, 017, 018, 019, 020, 021, 022, 022A, 022B, 023

**NOTES:**

- ° COMBINATION 950/1400 TANK FOR BIO-MICROBICS FAST WORKS WITH THE FOLLOWING UNITS
- ° MICRO FAST 0.75 - 750 GPD, RESIDENTIAL
- ° MICRO FAST 0.9 - 900 GPD, RESIDENTIAL
- ° HIGH STRENGTH FAST 1.0 - 1250 GPD, COMMERCIAL

**° SPECIFICATIONS**

- ° CONCRETE - 5,000 PSI
- ° REINFORCE 6" OCEW
- ° MASTIC EZ-STICK
- ° RUBBER BOOTS @ INLET & OUTLET - PRESS SEAL BRAND
- ° SEAL AND ATTACH FAST INSERT TO PRECAST TANK PER MFG. INSTRUCTIONS
- ° USE APPROVED FILTER IN SETTLEMENT TANK

**Crest Precast, Inc.**  
**La Crescent, MN & Barneveld, WI**

800-658-9045

Scale	Drawn By: <b>KGT</b>
Date	Revision
<b>Project:</b>	<b>Bio-Microbics F.A.S.T. - MCF 0.75, 0.9 &amp; HSF 1.0</b>
<b>Contractor:</b>	Drawing Number: <b>MODEL 950-1400-FAST</b>