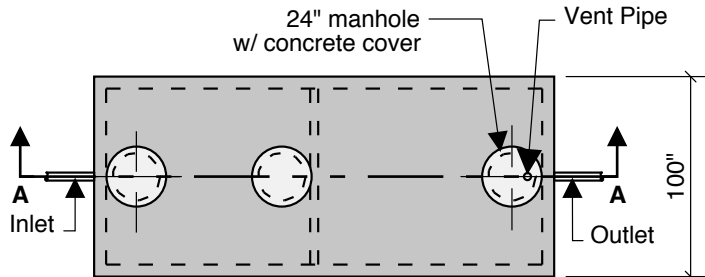
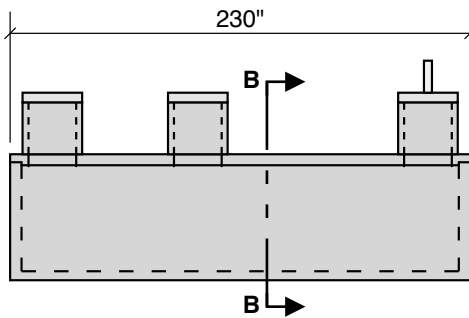


**1500 Septic 1500 Pump
39" LL
46" INLET**

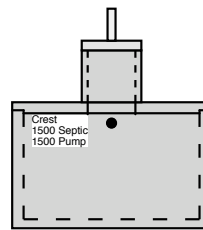
COMBINATION SEPTIC - PUMP



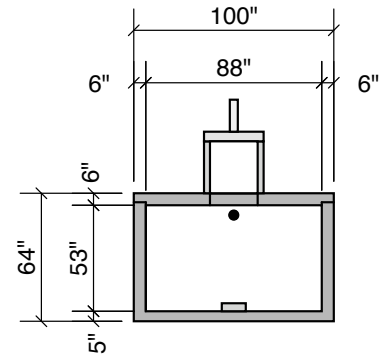
Top View



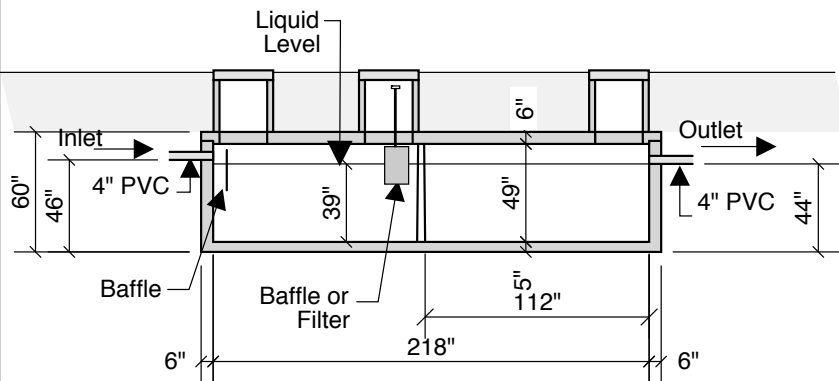
Side View



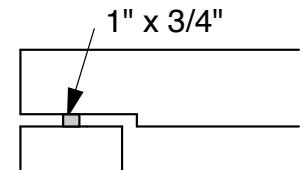
End View



Section B-B



Section A-A



Typical Cover Detail

Notes:
 Concrete - 5000 PSI
 Joint Sealant - High Grade EZ Stick
 Labels - Warning signs located on all manholes
 Installation - See separate installation guide
 Baffles Installed
 Rubber Gaskets - Press Seal
 Sealed Interior Wall

**Septic Tank Size 1,500 gal
 Pump Chamber Size 1,500 gal
 41.5 G.P.I. In Pump Chamber**

Crest Precast, Inc.
La Crescent, MN & Barneveld, WI
 800-658-9045

Scale		Drawn By:	KGT
Date		Revision	
Project:		SEPTIC-PUMP TANK	
Contractor:		Drawing Number	MODEL 1500-1500-45