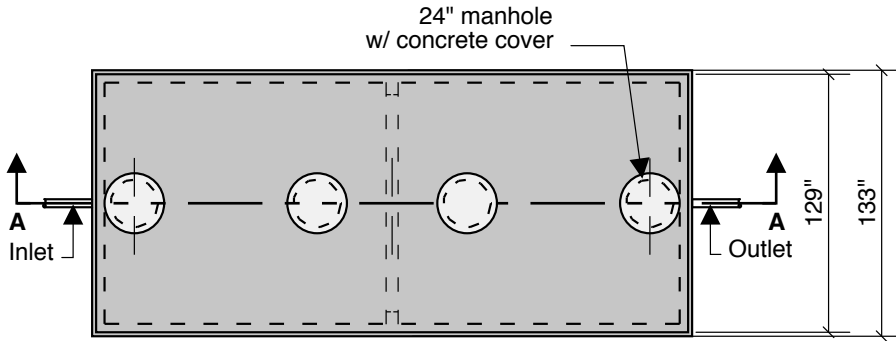
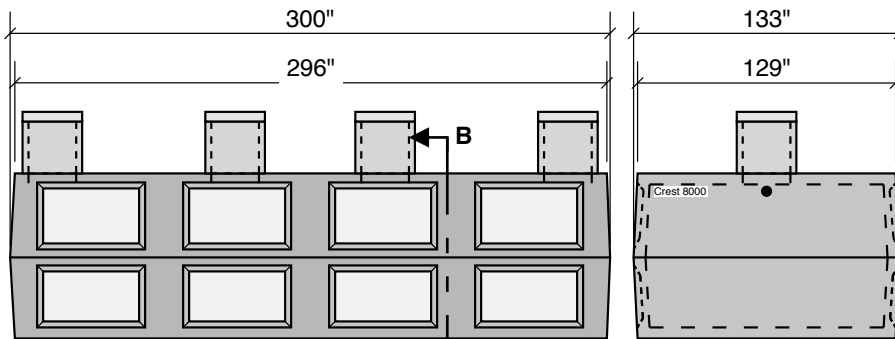


**8000 RDS GALLON
55" LL
62" INLET**

Double Septic

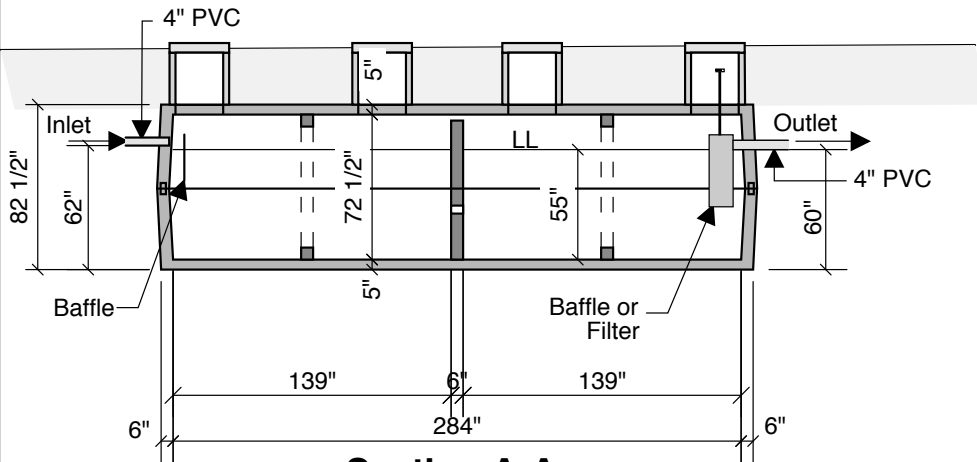
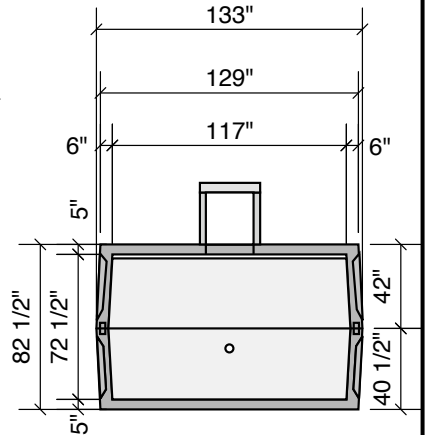


Top View

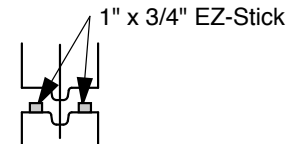


Side View

End View



Section A-A



Typical Tongue & Groove Joint

2 Compartment 8000 Gallon Septic Tank

**4,000 Gallons - Compartment #1
4,000 Gallons - Compartment #2**

Notes:
Concrete - 5000 PSI
Joint Sealant - High Grade EZ-Stick
Labels - Warning signs located on all manholes
Installation - See separate installation guide
Baffles Installed
Rubber Gaskets - Press Seal

Crest Precast, Inc.		Drawn By: KGT
La Crescent, MN & Barneveld, WI		Revision:
800-658-9045		
Scale:		
Date:		
Project:	SEPTIC TANK 8000 GALLON	
Contractor:	Drawn Number:	MODEL 8000-RDS