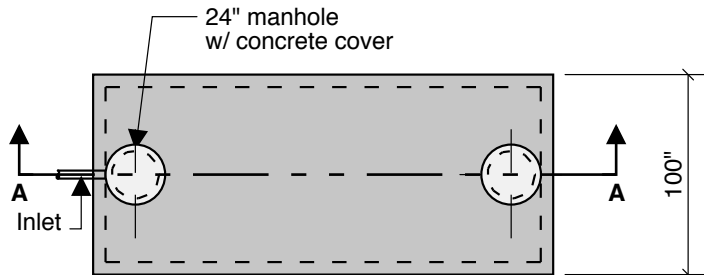


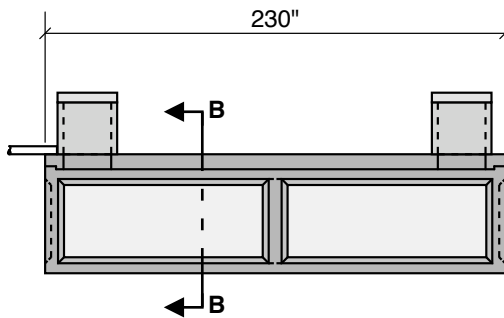
**4000 GALLON
48" LL
60" INLET**

Holding
Or Pump

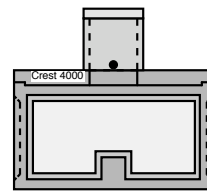
Not For Use
As Septic Or
Grease Tank



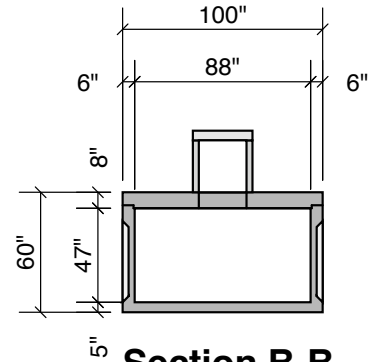
Top View



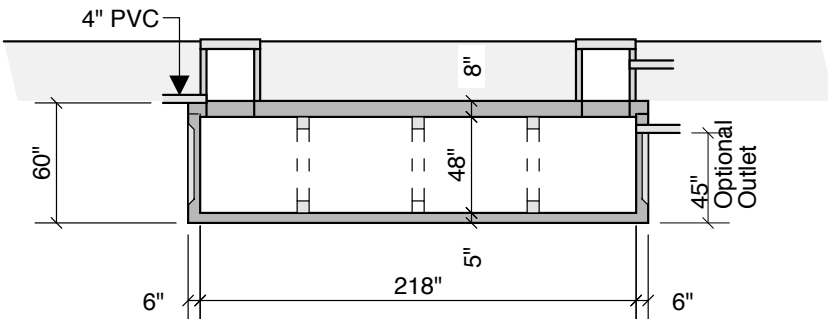
Side View



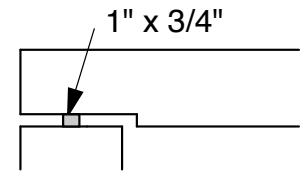
Front View



Section B-B



Section A-A



**Typical Cover
Detail**

Notes:
Concrete - 5000 PSI
Joint Sealant - High Grade EZ-Stick
Labels - Warning signs located on all manholes
Installation - See separate installation guide
Rubber Gaskets - Press Seal

Crest Precast, Inc.
La Crescent, MN & Barneveld, WI
800-658-9045

Scale		Drawn By:	KGT
Date		Revision	
Project:	PUMP TANK 4000 GALLON		
Contractor:	Drawing Number	MODEL 4000	