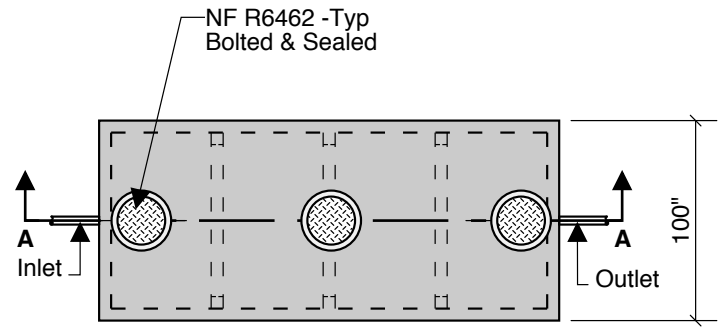
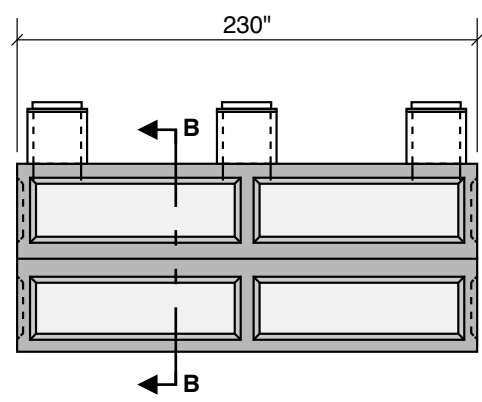


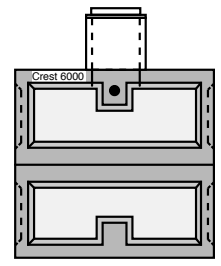
**6000 R GALLON  
GREASE  
73" LL  
80" INLET**  
Single Compartment



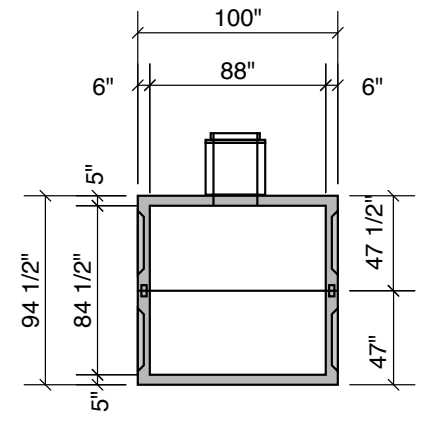
**Top View**



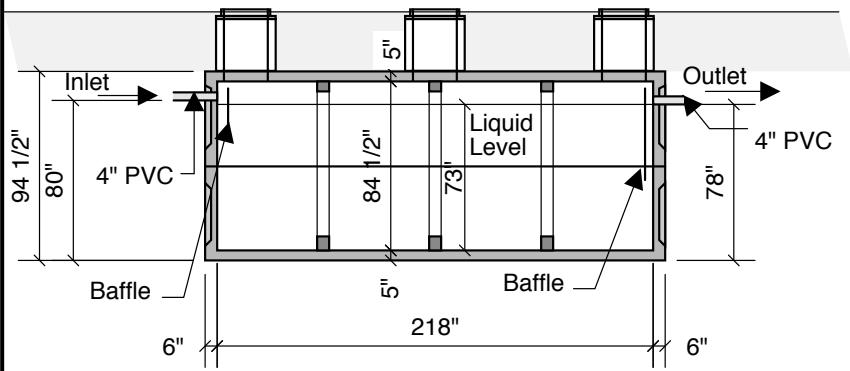
**Side View**



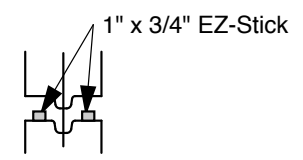
**End View**



**Section B-B**



**Section A-A**



**Typical Tongue & Groove Joint**

Notes:  
 Concrete - 5000 PSI  
 Joint Sealant - High Grade EZ-Stick  
 Labels - Warning signs located on all manholes  
 Installation - See separate installation guide  
 Baffles Installed  
 Rubber Gaskets - Press Seal  
 Tank Designed To ASTM C-1227-90 and ASTM 1613-06

**Crest Precast, Inc.**  
**La Crescent, MN & Barneveld, WI**  
 800-658-9045

Scale		Drawn By:	KGT
Date	5-1-08	Revision	
Project:		<b>6000 Gal. Grease Interceptor</b>	
Contractor:		Drawing Number:	<b>MODEL 6000R-G</b>