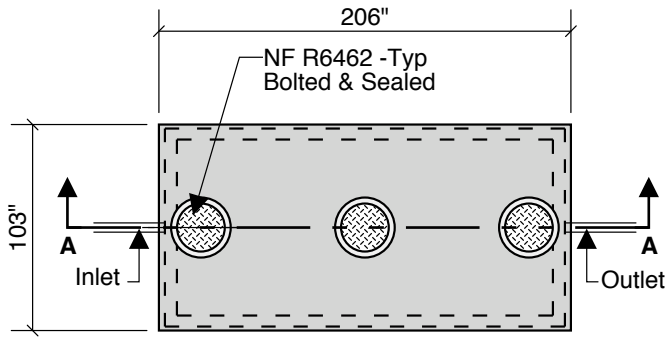
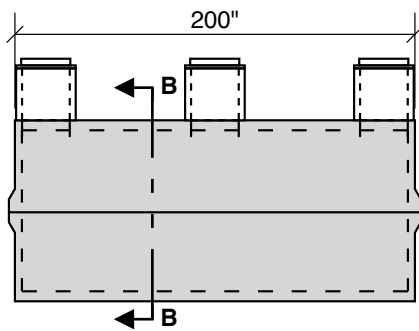


**5000 M GALLON
GREASE
68" LL
75" INLET**

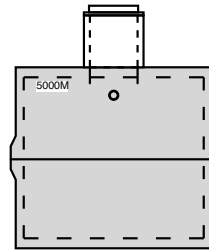
Single Compartment



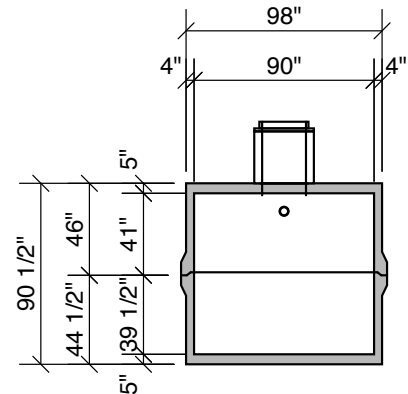
Top View



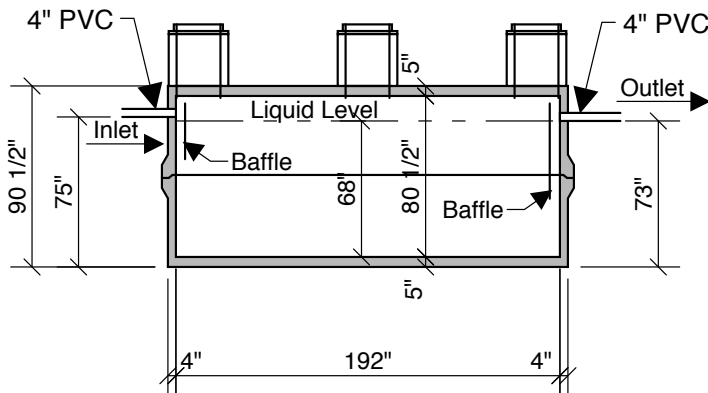
Side View



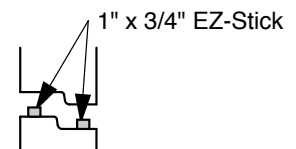
End View



Section B-B



Section A-A



Typical Joint

Notes:
 Concrete - 5000 PSI
 Joint Sealant - High Grade EZ-Stick
 Labels - Warning signs located on all manholes
 Installation - See separate installation guide
 Baffles Installed
 Rubber Gaskets - Press Seal
 Tank Designed To ASTM C-1227-90 and ASTM 1613-06

Crest Precast, Inc.
La Crescent, MN & Barneveld, WI
 800-658-9045

| | | | |
|-------------|----------------------------------------|-----------|-----|
| Scale | | Drawn By: | KGT |
| Date | 5-1-08 | Revision | |
| Project: | 5000 Gal. Grease Interceptor | | |
| Contractor: | Drawing Number MODEL 5000M-G | | |