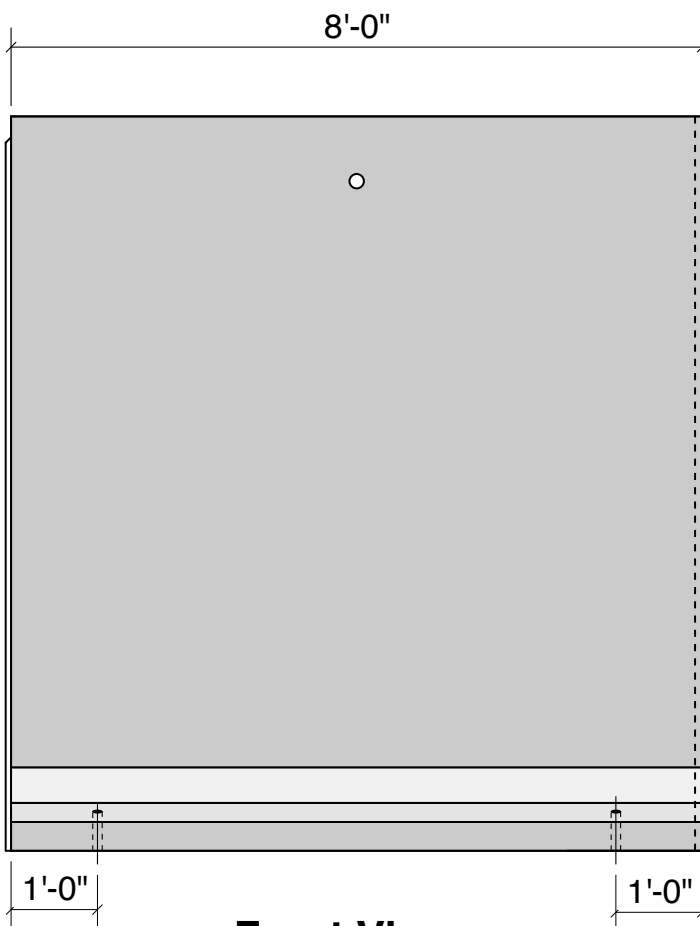
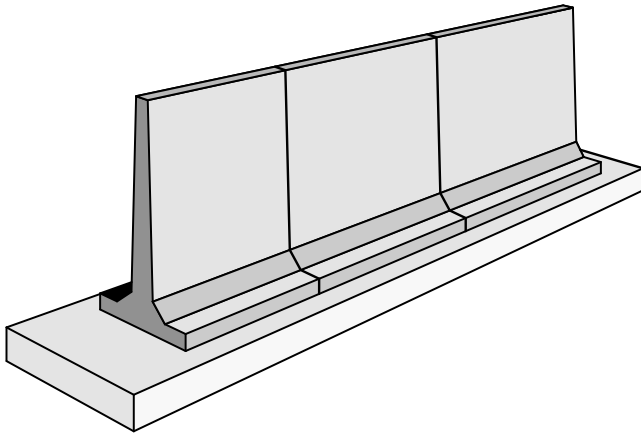
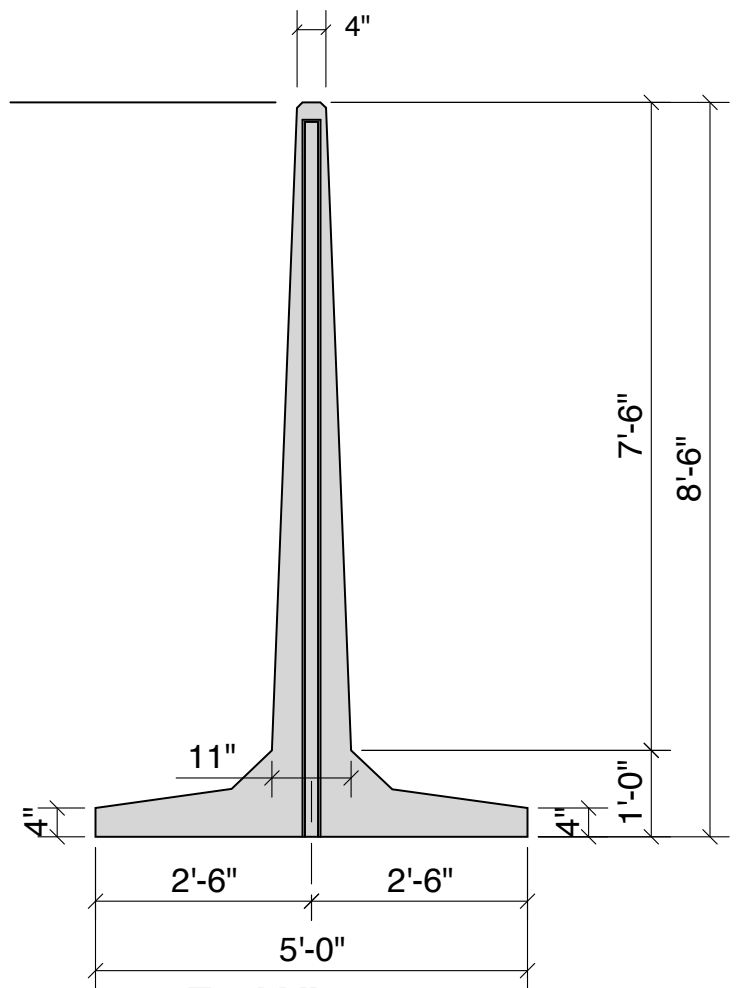


8'-6" BUNKER SILO TEE

SOLID CONSTRUCTION FOR USE IN GRAIN STORAGE, SILAGE BUNKERS, LANDSCAPE & RECYCLE BINS



Front View



End View

8'-6" "T" Wall Section

CAST FLAT FOR A SMOOTH FINISH ON BOTH SIDES

Weight - 8,200 Lbs
Concrete - 5,000 PSI

*Crest Precast, Inc.
La Crescent, MN & Barneveld, WI*